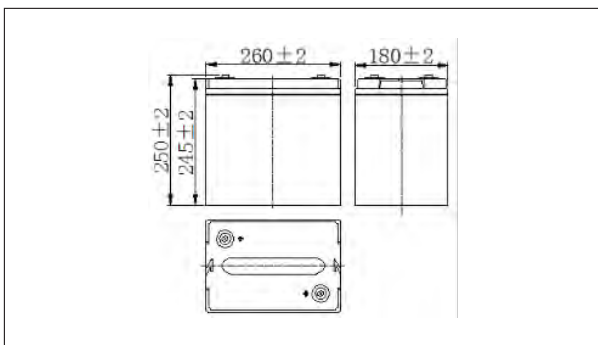


NPG6-150Ah 6V150Ah

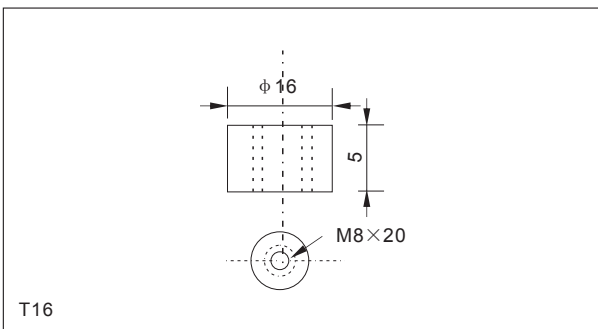
● **Specifications**

Nominal Voltage		6V
Rated capacity (10 hour rate)		150Ah
Dimensions	Length	260±2mm(10.24inch)
	Width	180±2mm(7.091inch)
	Height	245±2mm(9.65inch)
	Total Height	250±2mm(9.84inch)
Approx. Weight		25.5kg(56.2lbs)±3%

● **Outer dimensions (mm)**



● **Terminal Type (mm)**



● **Characteristics**

Capacity (25°C)	10HR(5.40V)	150Ah
	3HR(5.40V)	112.5Ah
	1HR(5.25V)	83Ah
Terminal type		T16
Internal resistance (Fully charged,25°C)		Approx.2.5m Ω
Capacity affected by temperature (10HR)	40°C	102%
	25°C	100%
	0°C	85%
	-15°C	65%
Self-discharge (25°C)	3 months	Remaining Capacity:91%
	6 months	Remaining Capacity:82%
	12 months	Remaining Capacity:65%
Nominal operating temperature		25°C ±3°C(77°F ±5°F)
Operating temperature range	Discharge	-15°C~50°C(5°F~122°F)
	Charge	-10°C~50°C(14°F~122°F)
	Storage	-20°C~50°C(-4°F~122°F)
Float charging voltage(25°C)		6.75 to 6.90V Temperature compensation: -9mV/°C
Cyclic charging voltage(25°C)		7.20 to 7.35V Temperature compensation: -15mV/°C
Maximum charging current		30A
Maximum discharge current		1200A(5 sec.)
Designed floating life(20°C)		12years

● **Construction**

Component	Positive plate	Negative plate	Container	Cover	Separator	Electrolyte	Safety valve	Terminal
Raw material	Lead dioxide	Lead	ABS	ABS	AGM	Gel	Rubber	Copper

● **Constant Current Discharge Characteristics Unit:A(25°C,77°F)**

F.V/Time	10min	15min	30min	60min	2h	3h	4h	5h	8h	10h	20h
4.80V	293	240	146	90.0	54.8	39.0	30.6	26.0	18.4	15.3	8.09
4.95V	284	234	143	88.7	54.5	38.8	30.4	25.9	18.3	15.2	8.08
5.10V	272	226	138	86.4	54.0	38.5	30.2	25.7	18.1	15.2	8.05
5.25V	260	218	135	83.7	53.2	38.3	30.0	25.5	18.0	15.1	8.01
5.40V	246	206	130	81.0	51.8	37.5	29.1	24.7	17.5	15.0	7.95

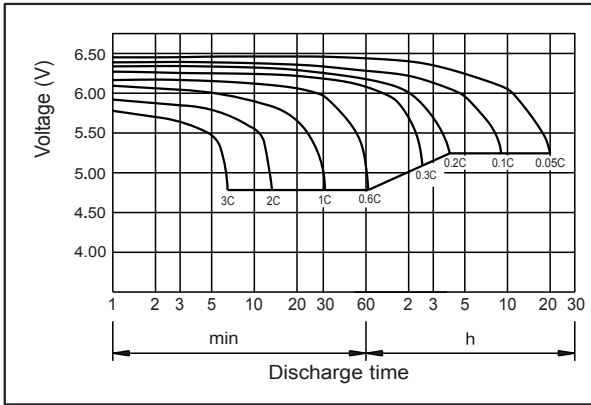
● **Constant Power Discharge Characteristics Unit:W(25°C,77°F)**

F.V/Time	10min	15min	30min	60min	2h	3h	4h	5h	8h	10h	20h
4.80V	1580	1318	816	513	317	229	180	154	109	91.2	48.6
4.95V	1532	1286	800	505	315	228	179	153	108	91.0	48.5
5.10V	1469	1239	775	492	313	226	178	152	108	90.7	48.3
5.25V	1406	1196	757	477	308	225	176	151	107	90.2	48.0
5.40V	1327	1133	729	462	300	220	171	146	104	89.6	47.7

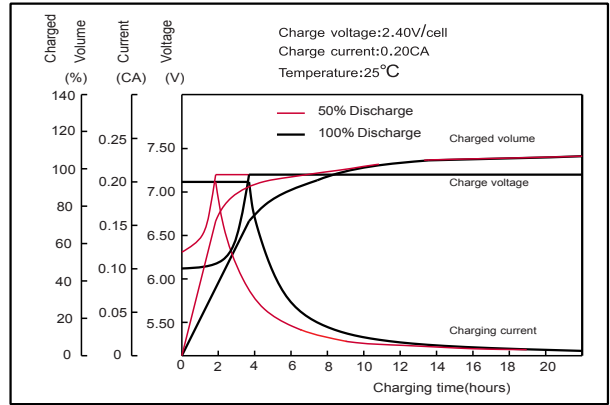
Note: The above characteristics data can be obtained within three charge or discharge cycles.

NPG6-150Ah 6V150Ah

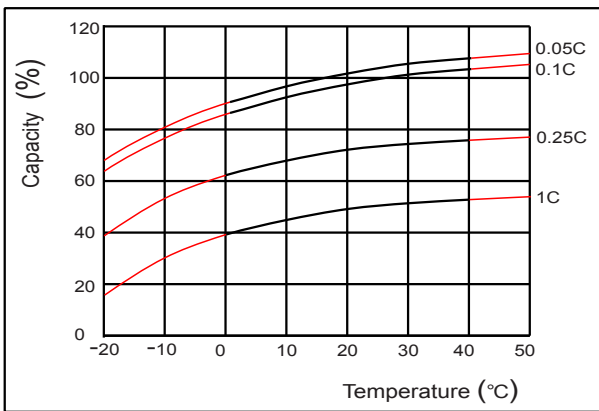
Discharge characteristics(25°C)



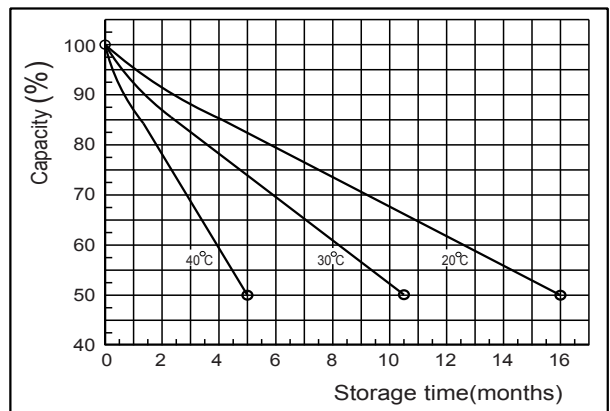
Charging characteristics(25°C)



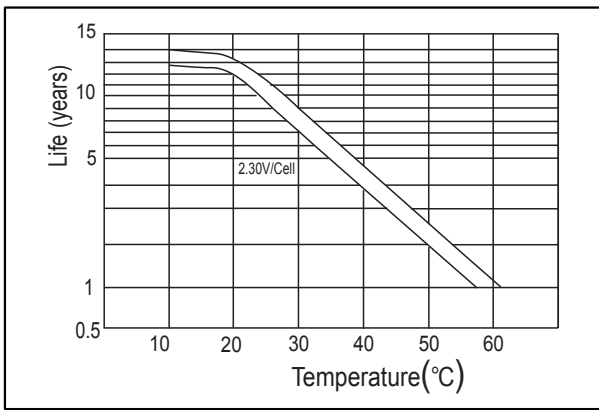
Effect of temperature on capacity



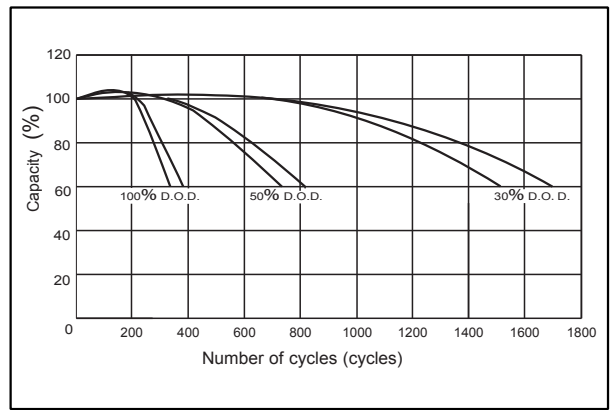
Self-discharge characteristics



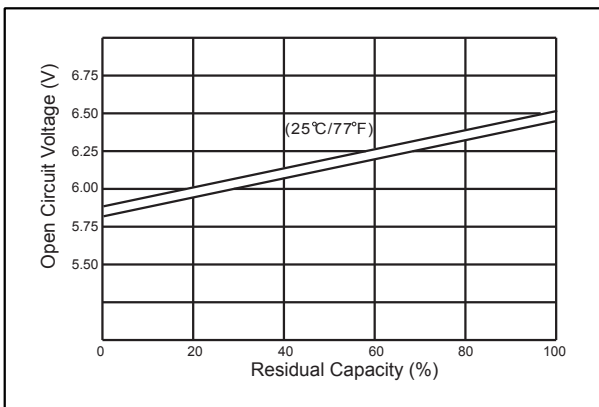
Floating life on temperature



Cycle life on D.O.D (25°C)



The relationship for OCV and Capacity (25°C)



The relationship for Charging voltage and Temperature

