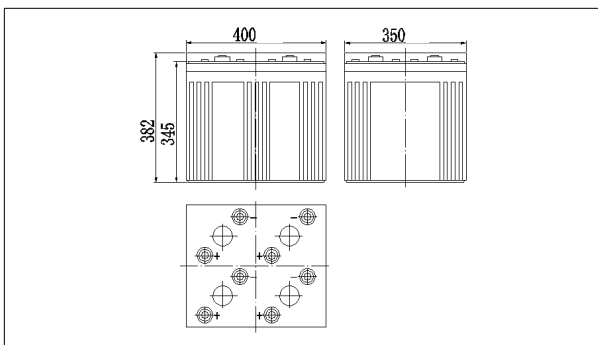


NP2-1500Ah 2V1500Ah

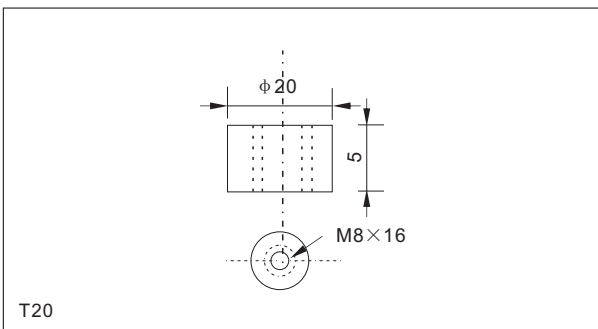
● Specifications

Nominal Voltage		2V
Rated capacity (10 hour rate)		1500Ah
Dimensions	Length	400±2mm(15.75inch)
	Width	350±2mm(13.78inch)
	Height	345±2mm(13.58inch)
	Total Height	382±2mm(15.04inch)
Approx. Weight		93kg(205lbs)±3%

● Outer dimensions (mm)



● Terminal Type (mm)



● Characteristics

Capacity (25°C)	10HR(1.8V)	1500Ah
	3HR(1.80V)	1125Ah
	1HR(1.75V)	825Ah
Terminal type		T20
Internal resistance (Fully charged,25°C)		Approx.0.2m Ω
Capacity affected by temperature (10HR)	40°C	102%
	25°C	100%
	0°C	85%
	-15°C	65%
Self-discharge (25°C)	3 months	Remaining Capacity:91%
	6 months	Remaining Capacity:82%
	12 months	Remaining Capacity:65%
Nominal operating temperature		25°C ±3°C(77°F ±5°F)
Operating temperature range	Discharge	-15°C~50°C(5°F~122°F)
	Charge	-10°C~50°C(14°F~122°F)
	Storage	-20°C~50°C(-4°F~122°F)
Float charging voltage(25°C)		2.25 to 2.30V Temperature compensation: -3mV/°C
Cyclic charging voltage(25°C)		2.40 to 2.50V Temperature compensation: -5mV/°C
Maximum charging current		300A
Maximum discharge current		7500A(5 sec.)
Designed floating life(20°C)		15 years

● Construction

Component	Positive plate	Negative plate	Container	Cover	Separator	Electrolyte	Safety valve	Terminal
Raw material	lead dioxide	Lead	ABS	ABS	AGM	Sulfuric acid	Rubber	Copper

● Constant Current Discharge Characteristics Unit:A(25°C,77°F)

F.V/Time	30min	60min	2h	3h	4h	5h	6h	8h	10h	20h	24h
1.60V	1365	945	553	398	318	274	236	186	153	80.9	69.3
1.65V	1338	917	549	395	316	272	234	185	153	80.8	69.2
1.70V	1297	888	545	393	314	270	233	184	153	80.5	69.0
1.75V	1265	860	536	390	312	269	231	182	152	80.1	68.6
1.80V	1219	832	523	378	303	260	224	177	151	79.5	68.1

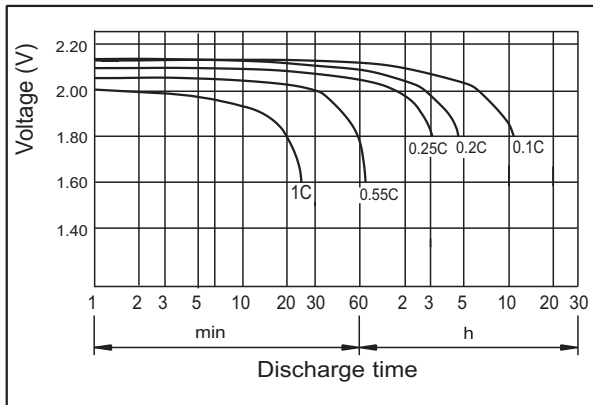
● Constant Power Discharge Characteristics Unit:W(25°C,77°F)

F.V/Time	30min	60min	2h	3h	4h	5h	6h	8h	10h	20h	24h
1.60V	2553	1796	1067	780	624	540	464	370	305	162	139
1.65V	2501	1742	1060	775	620	536	461	368	305	162	139
1.70V	2425	1688	1051	770	616	533	458	365	304	161	139
1.75V	2366	1634	1035	764	612	529	455	363	302	160	138
1.80V	2279	1580	1009	741	593	513	441	352	300	159	137

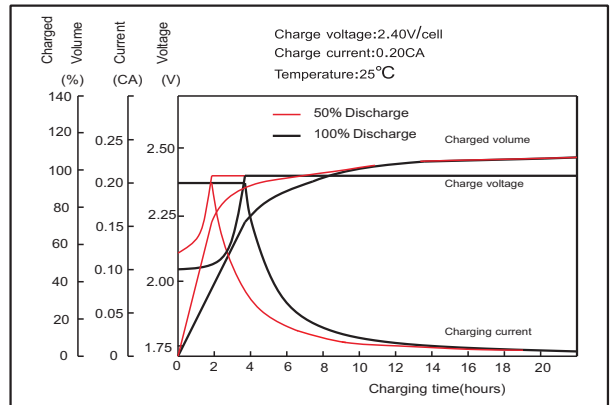
Note: The above characteristics data can be obtained within three charge or discharge cycles.

NP2-1500Ah 2V1500Ah

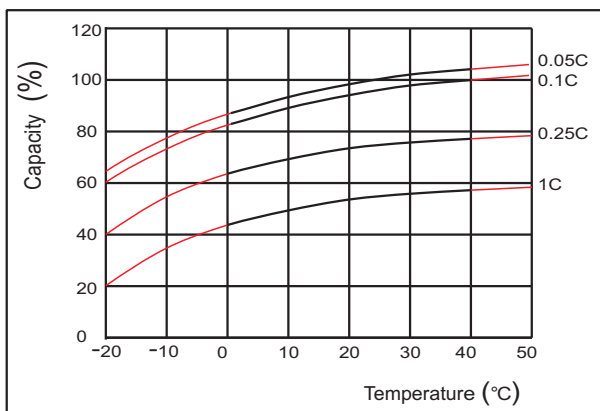
Discharge characteristics(25°C)



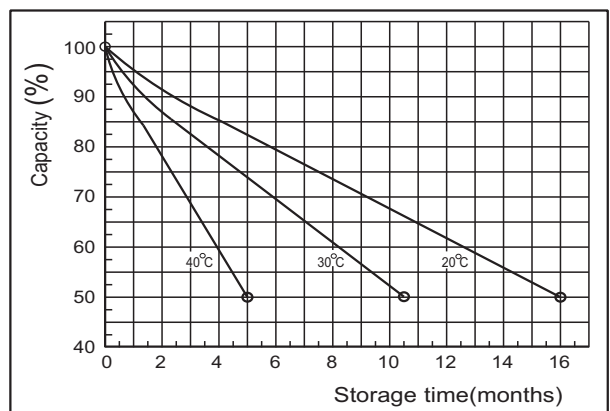
Charging characteristics



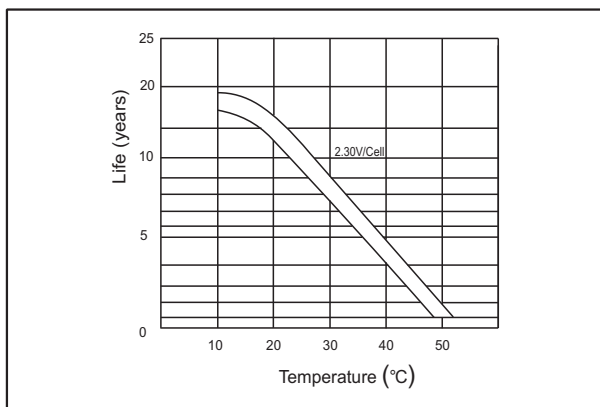
Effect of Temperature on Capacity



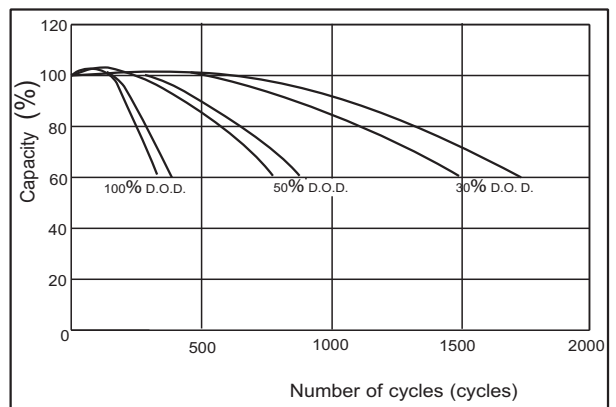
Self-discharge characteristics



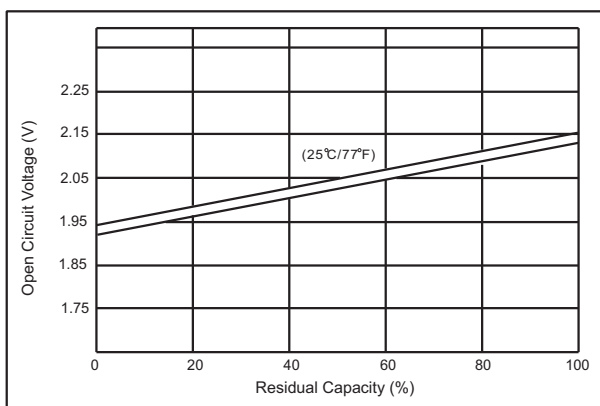
Temperature effects on float life



Cycle service life in relation to depth of discharge



The relationship for OCV and Capacity (25°C)



The relationship for Charging voltage and Temperature

