

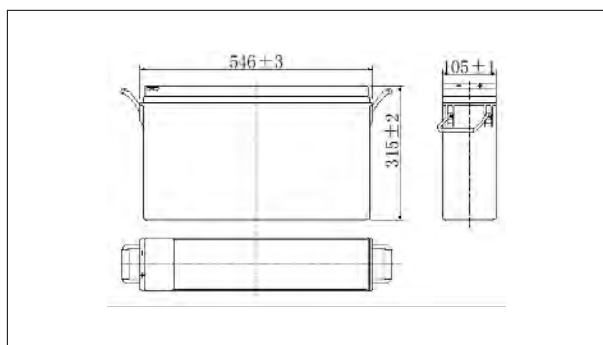
FT12-125Ah 12V125Ah



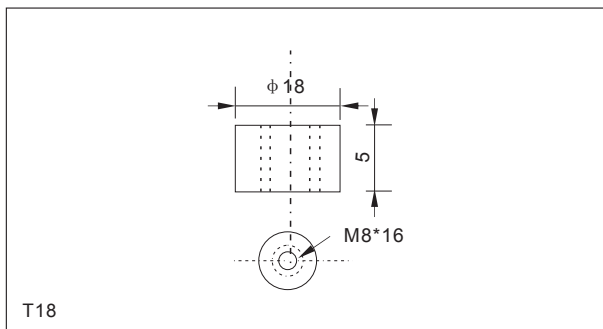
Specifications

Nominal Voltage	12V	
Rated capacity (10 hour rate)	125Ah	
Dimensions	Length	546±3mm(21.50inch)
	Width	105±1mm(4.13inch)
	Height	315±2mm(12.40inch)
	Total Height	315±2mm(12.40inch)
Approx. Weight	41.5kg(91.5lbs)±3%	

Outer dimensions (mm)



Terminal Type (mm)



Characteristics

Capacity (25°C)	10HR(10.8V)	125Ah
	3HR(10.8V)	94.5Ah
	1HR(10.5V)	69Ah
Terminal type		T18
Internal resistance (Fully charged,25°C)		Approx.4.5m Ω
Capacity affected by temperature (10HR)	40°C	102%
	25°C	100%
	0°C	85%
	-15°C	65%
Self-discharge (25°C)	3 months	Remaining Capacity:91%
	6 months	Remaining Capacity:82%
	12 months	Remaining Capacity:65%
Nominal operating temperature		25°C ±3°C(77°F ±5°F)
Operating temperature range	Discharge	-15°C~50°C(5°F~122°F)
	Charge	-10°C~50°C(14°F~122°F)
	Storage	-20°C~50°C(-4°F~122°F)
Float charging voltage(25°C)		13.50 to 13.80V Temperature compensation: -18mV/°C
Cyclic charging voltage(25°C)		14.50 to 15.00V Temperature compensation: -30mV/°C
Maximum charging current		37.5A
Maximum discharge current		900A(5 sec.)
Designed floating life(20°C)		12years

Construction

Component	Positive plate	Negative plate	Container	Cover	Separator	Electrolyte	Safety valve	Terminal
Raw material	lead dioxide	Lead	ABS	ABS	AGM	Sulfuric acid	Rubber	Copper

Constant Current Discharge Characteristics Unit:A(25°C,77°F)

F.V/Time	15min	30min	60min	2h	3h	4h	5h	6h	8h	10h	20h
9.60V	206	123	75.7	45.7	32.9	26.3	22.4	19.5	15.4	12.7	6.74
9.90V	201	121	74.6	45.4	32.7	26.1	22.3	19.4	15.3	12.7	6.73
10.2V	193	117	72.7	45.0	32.5	25.9	22.2	19.3	15.2	12.7	6.71
10.5V	187	114	70.4	44.3	32.3	25.8	22.0	19.1	15.1	12.6	6.67
10.8V	177	110	68.1	43.2	31.3	25.0	23.1	18.6	14.7	12.5	6.63

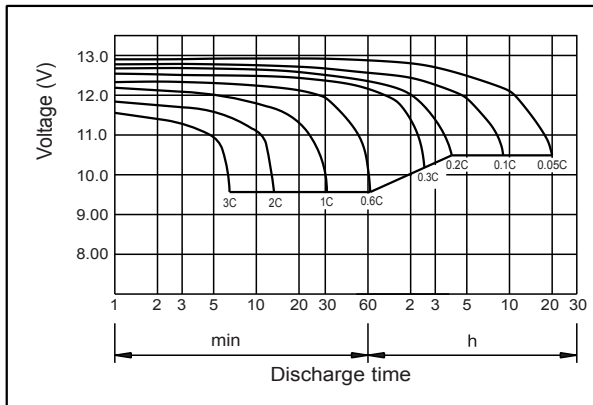
Constant Power Discharge Characteristics Unit:W(25°C,77°F)

F.V/Time	15min	30min	60min	2h	3h	4h	5h	6h	8h	10h	20h
9.60V	2260	1381	863	529	387	309	265	231	183	152	80.9
9.90V	2205	1354	850	526	385	307	264	229	182	152	80.8
10.2V	2124	1312	829	521	382	305	262	228	181	151	80.5
10.5V	2052	1280	803	513	379	303	260	226	180	150	80.1
10.8V	1943	1234	777	500	368	294	252	219	174	149	79.5

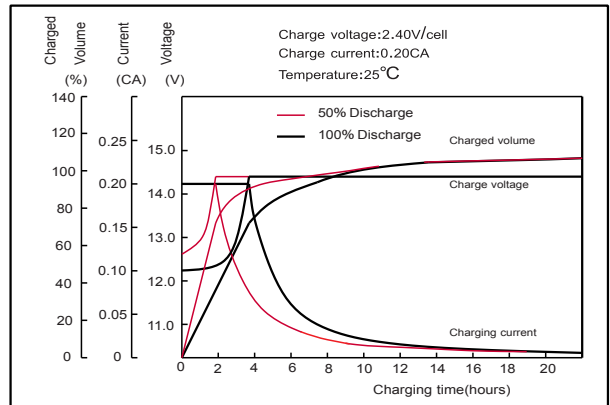
Note: The above characteristics data can be obtained within three charge or discharge cycles.

FT12-125Ah 12V125Ah

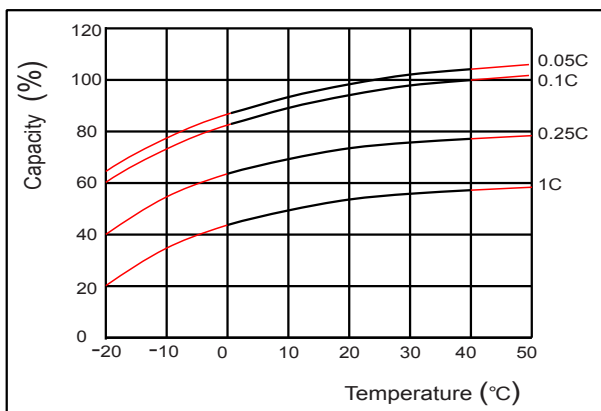
Discharge characteristics(25°C)



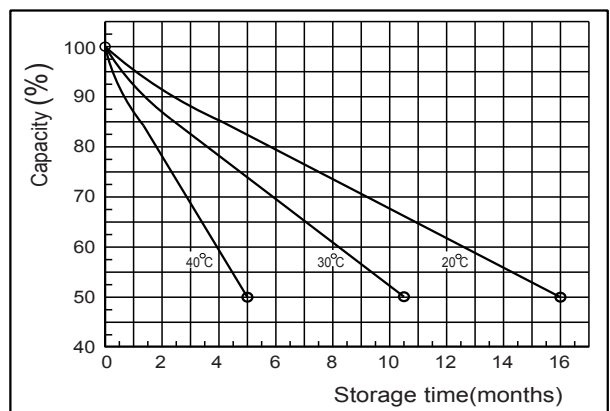
Charging characteristics



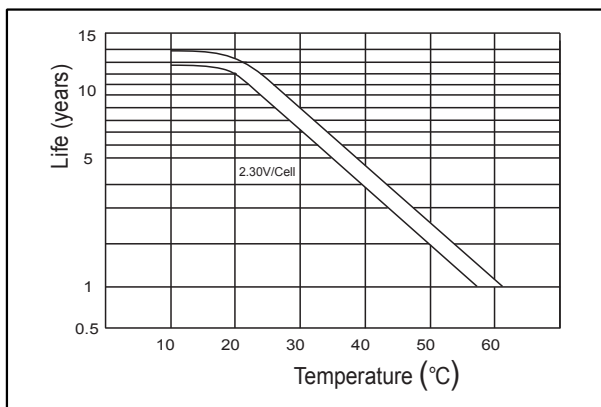
Temperature effects on Capacity



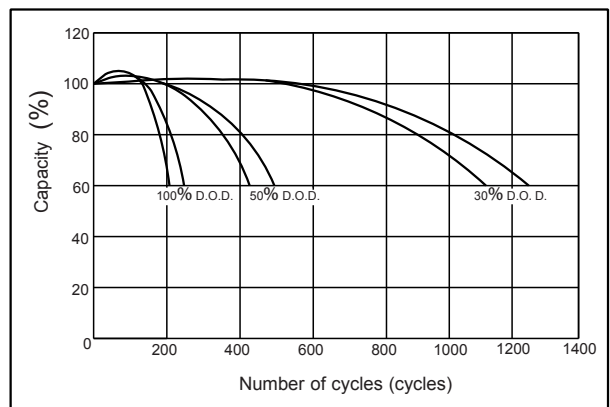
Self-discharge characteristics



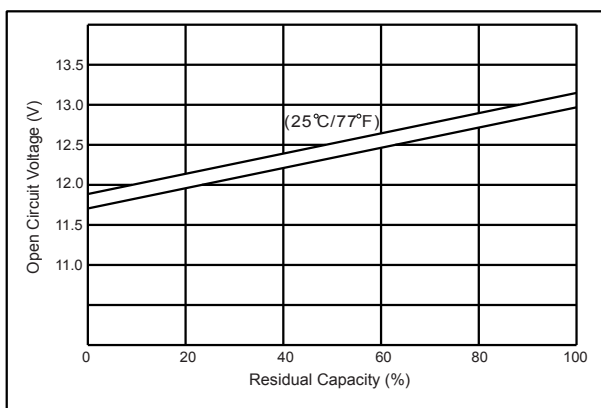
Temperature effects on float life



Cycle service life in relation to depth of discharge



The relationship for OCV and Capacity (25°C)



The relationship for Charging voltage and Temperature

