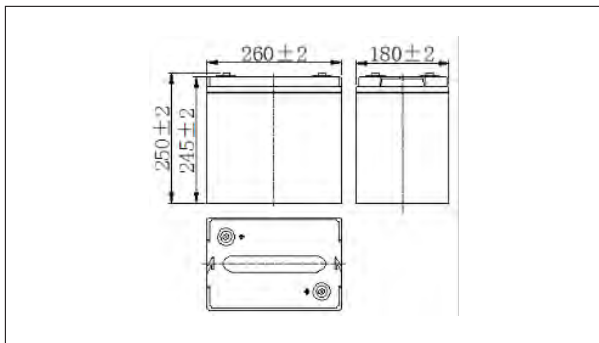


NPD6-150Ah 6V150Ah

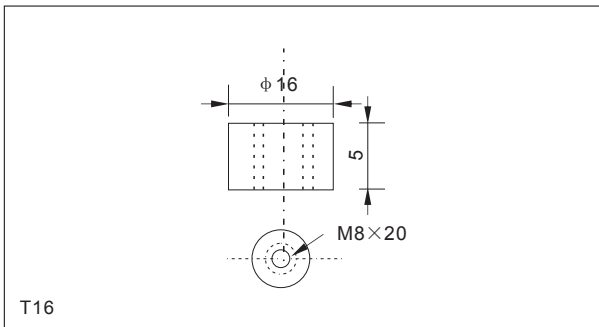
● Specifications

| | | |
|-------------------------------|--------------|--------------------|
| Nominal Voltage | | 6V |
| Rated capacity (10 hour rate) | | 150Ah |
| Dimensions | Length | 260±2mm(10.24inch) |
| | Width | 180±2mm(7.09inch) |
| | Height | 245±2mm(9.65inch) |
| | Total Height | 250±2mm(9.84inch) |
| Approx. Weight | | 25.5kg(56.2lbs)±3% |

● Outer dimensions (mm)



● Terminal Type (mm)



● Characteristics

| | | |
|--|-------------|---|
| Capacity (25°C) | 10HR(5.40V) | 150Ah |
| | 3HR(5.40V) | 114Ah |
| | 1HR(5.25V) | 85Ah |
| Terminal type | | T16 |
| Internal resistance (Fully charged,25°C) | | Approx.2.3m Ω |
| Capacity affected by temperature (10HR) | 40°C | 102% |
| | 25°C | 100% |
| | 0°C | 85% |
| | -15°C | 65% |
| Self-discharge (25°C) | 3 months | Remaining Capacity:91% |
| | 6 months | Remaining Capacity:82% |
| | 12 months | Remaining Capacity:65% |
| Nominal operating temperature | | 25°C ±3°C(77°F ±5°F) |
| Operating temperature range | Discharge | -15°C~50°C(5°F~122°F) |
| | Charge | -10°C~50°C(14°F~122°F) |
| | Storage | -20°C~50°C(-4°F~122°F) |
| Float charging voltage(25°C) | | 6.75 to 6.90V Temperature compensation: -9mV/°C |
| Cyclic charging voltage(25°C) | | 7.25 to 7.50V Temperature compensation: -15mV/°C |
| Maximum charging current | | 45A |
| Maximum discharge current | | 1200A(5 sec.) |
| Designed floating life(20°C) | | 10years |

● Construction

| Component | Positive plate | Negative plate | Container | Cover | Separator | Electrolyte | Safety valve | Terminal |
|--------------|----------------|----------------|-----------|-------|-----------|---------------|--------------|----------|
| Raw material | Lead dioxide | Lead | ABS | ABS | AGM | Sulfuric acid | Rubber | Copper |

● Constant Current Discharge Characteristics Unit:A(25°C,77°F)

| F.V/Time | 10min | 15min | 30min | 60min | 2h | 3h | 4h | 5h | 8h | 10h | 20h |
|----------|-------|-------|-------|-------|------|------|------|------|------|------|------|
| 4.80V | 338 | 260 | 156 | 95.8 | 56.6 | 40.8 | 32.6 | 27.8 | 19.1 | 15.8 | 8.36 |
| 4.95V | 328 | 254 | 153 | 94.4 | 56.3 | 40.5 | 32.4 | 27.7 | 19.0 | 15.7 | 8.35 |
| 5.10V | 314 | 245 | 148 | 92.0 | 55.8 | 40.3 | 32.2 | 27.5 | 18.9 | 15.7 | 8.32 |
| 5.25V | 301 | 236 | 144 | 89.1 | 55.0 | 40.0 | 31.9 | 27.3 | 18.8 | 15.6 | 8.27 |
| 5.40V | 285 | 224 | 139 | 86.2 | 53.6 | 38.8 | 31.0 | 26.5 | 18.2 | 15.5 | 8.22 |

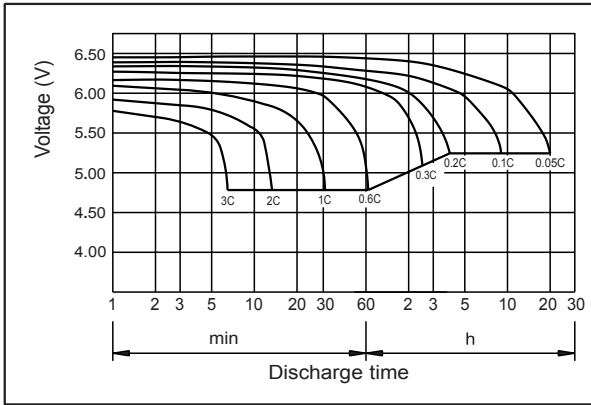
● Constant Power Discharge Characteristics Unit:W(25°C,77°F)

| F.V/Time | 10min | 15min | 30min | 60min | 2h | 3h | 4h | 5h | 8h | 10h | 20h |
|----------|-------|-------|-------|-------|-----|-----|-----|-----|-----|------|------|
| 4.80V | 1825 | 1430 | 874 | 546 | 328 | 240 | 192 | 164 | 114 | 94.2 | 50.2 |
| 4.95V | 1770 | 1395 | 856 | 538 | 326 | 238 | 190 | 163 | 113 | 94.0 | 50.1 |
| 5.10V | 1697 | 1344 | 830 | 524 | 323 | 237 | 189 | 162 | 112 | 93.7 | 49.9 |
| 5.25V | 1624 | 1298 | 810 | 508 | 318 | 235 | 188 | 161 | 111 | 93.2 | 49.6 |
| 5.40V | 1533 | 1229 | 780 | 491 | 310 | 228 | 182 | 156 | 108 | 92.5 | 49.3 |

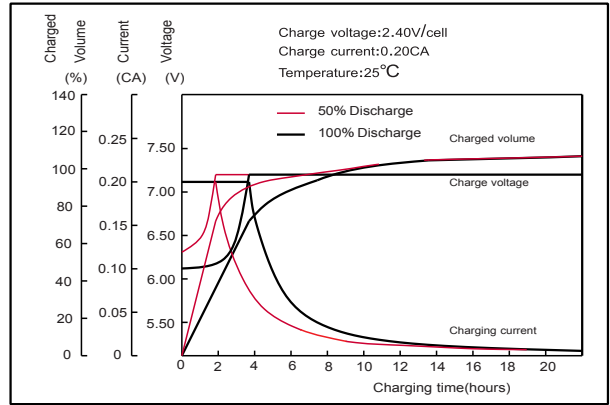
Note: The above characteristics data can be obtained within three charge or discharge cycles.

NPD6-150Ah 6V150Ah

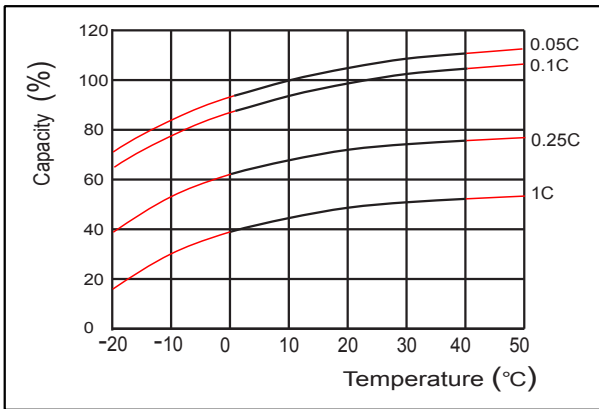
Discharge characteristics(25°C)



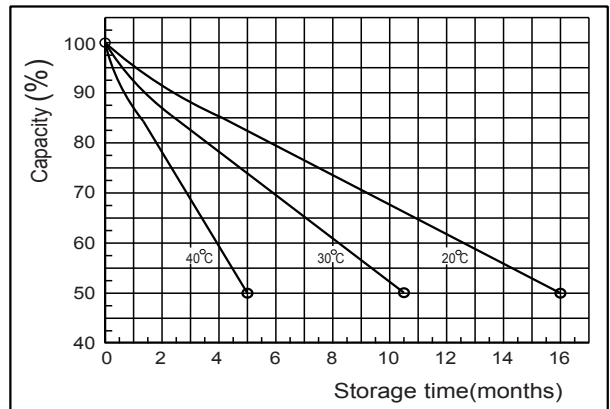
Charging characteristics(25°C)



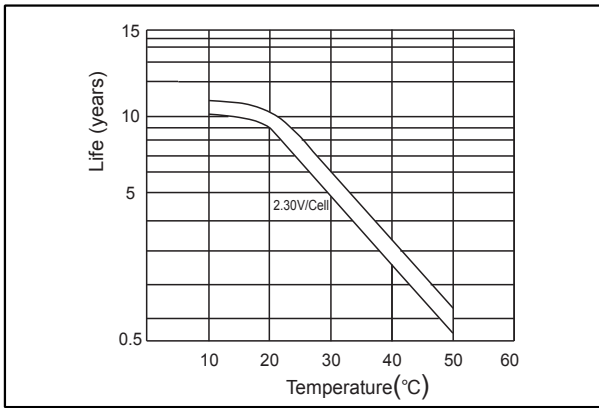
Effect of temperature on capacity



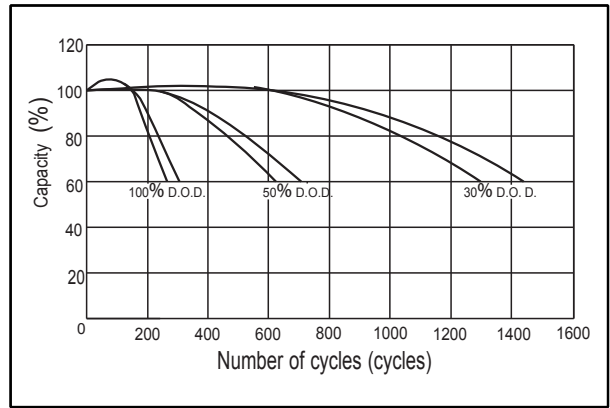
Self-discharge characteristics



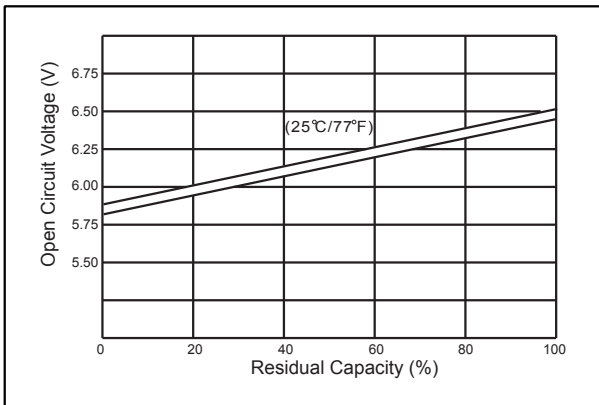
Floating life on temperature



Cycle life on D.O.D (25°C)



The relationship for OCV and Capacity (25°C)



The relationship for Charging voltage and Temperature

