

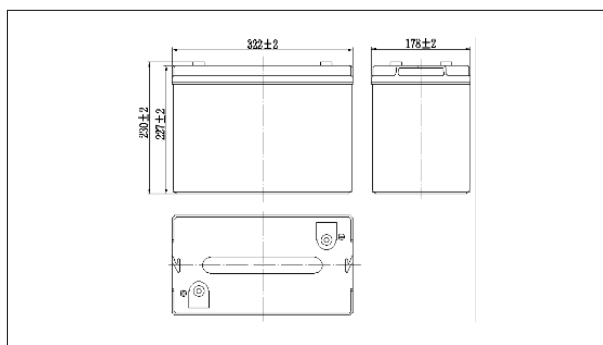
NPD6-200Ah 6V200Ah

Specifications

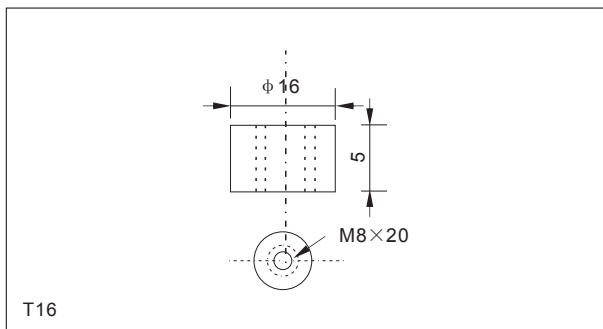
Nominal Voltage		6V
Rated capacity (10 hour rate)		200Ah
Dimensions	Length	322±2mm(12.68inch)
	Width	178±2mm(7.01inch)
	Height	227±2mm(8.94inch)
	Total Height	230±2mm(9.06inch)
Approx. Weight		30.5kg(67.2lbs)±3%



Outer dimensions (mm)



Terminal Type (mm)



Characteristics

Capacity (25°C)	10HR(5.40V)	200Ah
	3HR(5.40V)	153Ah
	1HR(5.25V)	115Ah
Terminal type		T16
Internal resistance (Fully charged, 25°C)		Approx. 1.8m Ω
Capacity affected by temperature (10HR)	40°C	102%
	25°C	100%
	0°C	85%
	-15°C	65%
Self-discharge (25°C)	3 months	Remaining Capacity:91%
	6 months	Remaining Capacity:82%
	12 months	Remaining Capacity:65%
Nominal operating temperature		25°C ±3°C(77°F ±5°F)
Operating temperature range	Discharge	-15°C~50°C(5°F~122°F)
	Charge	-10°C~50°C(14°F~122°F)
	Storage	-20°C~50°C(-4°F~122°F)
Float charging voltage(25°C)		6.75 to 6.90V Temperature compensation: -9mV/°C
Cyclic charging voltage(25°C)		7.25 to 7.50V Temperature compensation: -15mV/°C
Maximum charging current		60A
Maximum discharge current		1400A(5 sec.)
Designed floating life(20°C)		10years

Construction

Component	Positive plate	Negative plate	Container	Cover	Separator	Electrolyte	Safety valve	Terminal
Raw material	Lead dioxide	Lead	ABS	ABS	AGM	Sulfuric acid	Rubber	Copper

Constant Current Discharge Characteristics Unit:A(25°C,77°F)

F.V/Time	10min	15min	30min	60min	2h	3h	4h	5h	8h	10h	20h
4.80V	449	346	207	127	75.3	54.2	43.3	37.0	25.4	21.0	11.1
4.95V	436	338	203	125	74.8	53.9	43.0	36.8	25.3	20.9	11.1
5.10V	418	325	197	122	74.2	53.5	42.7	36.5	25.1	20.9	11.1
5.25V	400	314	192	118	73.0	53.1	42.4	36.3	24.9	20.7	11.0
5.40V	377	298	185	115	71.2	51.6	41.2	35.2	24.2	20.6	10.9

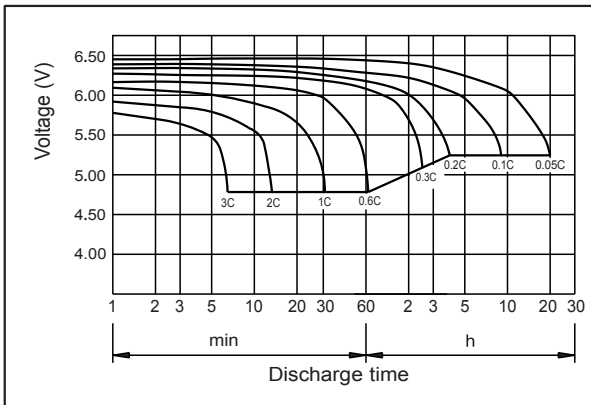
Constant Power Discharge Characteristics Unit:W(25°C,77°F)

F.V/Time	10min	15min	30min	60min	2h	3h	4h	5h	8h	10h	20h
4.80V	2425	1900	1161	726	436	319	255	219	151	125	66.7
4.95V	2352	1854	1138	715	433	317	253	217	150	125	66.6
5.10V	2255	1786	1103	697	429	315	251	216	149	125	66.4
5.25V	2158	1725	1077	675	423	313	250	214	148	124	66.0
5.40V	2037	1634	1037	653	412	303	242	208	144	123	65.5

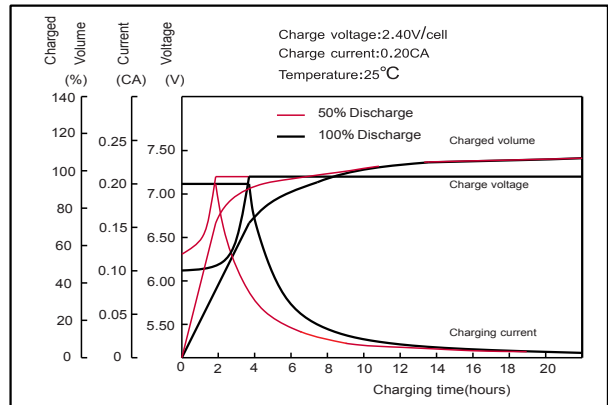
Note: The above characteristics data can be obtained within three charge or discharge cycles.

NPD6-200Ah 6V200Ah

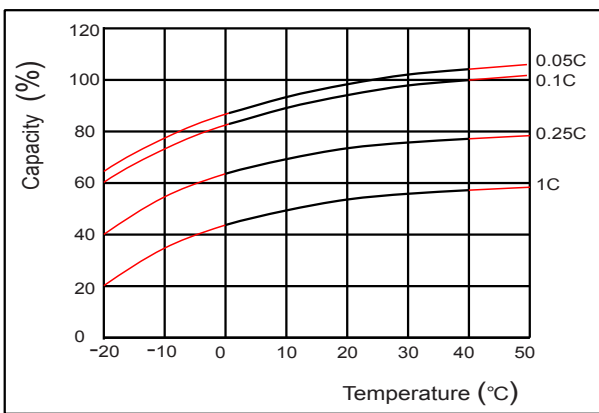
● **Discharge characteristics(25°C)**



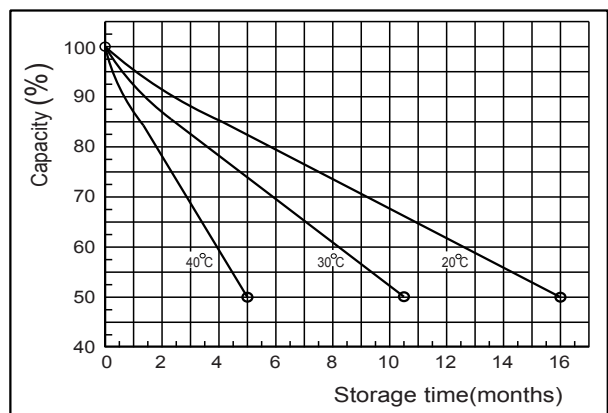
● **Charging characteristics(25°C)**



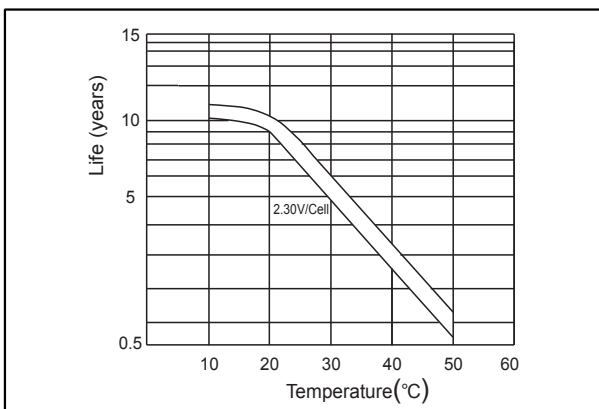
● **Effect of temperature on capacity**



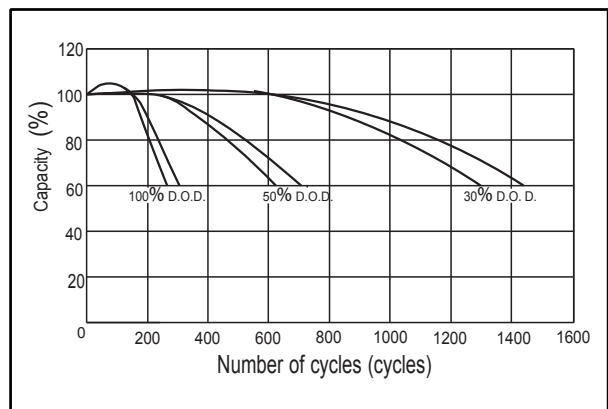
● **Self-discharge characteristics**



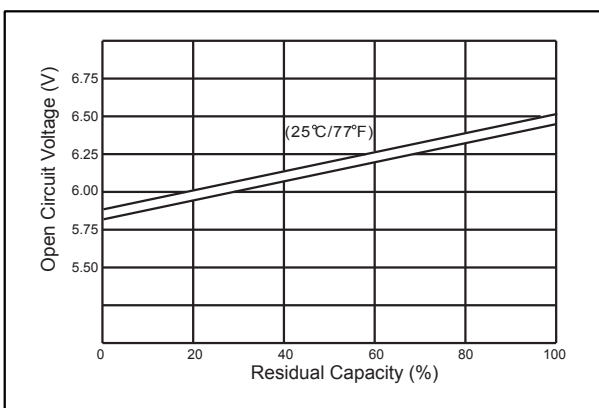
● **Floating life on temperature**



● **Cycle life on D.O.D (25°C)**



● **The relationship for OCV and Capacity (25°C)**



● **The relationship for Charging voltage and Temperature**

