

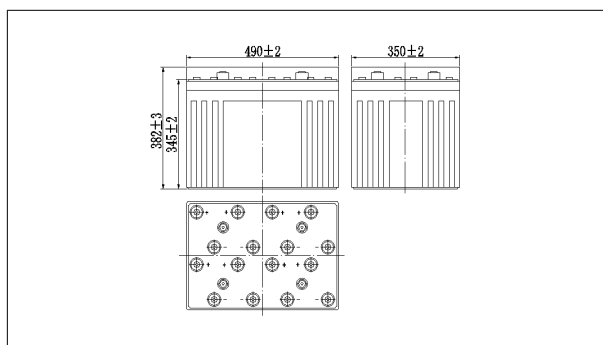
NPD2-2000Ah 2V2000Ah



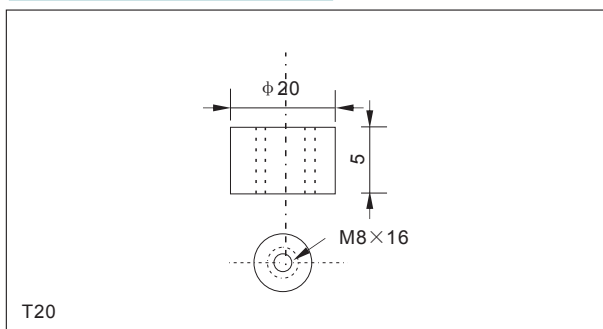
Specifications

Nominal Voltage		2V
Rated capacity (10 hour rate)		2000Ah
Dimensions	Length	490±2mm(19.29inch)
	Width	350±2mm(13.78inch)
	Height	345±2mm(13.58inch)
	Total Height	382±2mm(15.04inch)
Approx. Weight		131kg(288.8lbs)±3%

Outer dimensions (mm)



Terminal Type (mm)



Characteristics

Capacity (25°C)	10HR(1.8V)	2000Ah
	3HR(1.80V)	1590Ah
	1HR(1.75V)	1160Ah
Terminal type		T20
Internal resistance (Fully charged,25°C)		Approx.0.17m Ω
Capacity affected by temperature (10HR)	40°C	102%
	25°C	100%
	0°C	85%
	-15°C	65%
Self-discharge (25°C)	3 months	Remaining Capacity:91%
	6 months	Remaining Capacity:82%
	12 months	Remaining Capacity:65%
Nominal operating temperature		25°C ±3°C(77°F ±5°F)
Operating temperature range	Discharge	-15°C~50°C(5°F~122°F)
	Charge	-10°C~50°C(14°F~122°F)
	Storage	-20°C~50°C(-4°F~122°F)
Float charging voltage(25°C)		2.25 to 2.30V Temperature compensation: -3mV/°C
Cyclic charging voltage(25°C)		2.40 to 2.50V Temperature compensation: -5mV/°C
Maximum charging current		400A
Maximum discharge current		10000A(5 sec.)
Designed floating life(20°C)		15 years

Construction

Component	Positive plate	Negative plate	Container	Cover	Separator	Electrolyte	Safety valve	Terminal
Raw material	lead dioxide	Lead	ABS	ABS	AGM	Sulfuric acid	Rubber	Copper

Constant Current Discharge Characteristics Unit:A(25°C,77°F)

F.V/Time	30min	60min	2h	3h	4h	5h	6h	8h	10h	20h	24h
1.60V	1911	1323	774	557	446	383	330	260	215	113	97.1
1.65V	1873	1283	769	554	443	381	328	259	214	113	96.9
1.70V	1815	1244	762	550	440	379	326	257	214	113	96.6
1.75V	1771	1204	751	546	437	376	323	255	213	112	96.0
1.80V	1707	1164	732	530	424	365	314	247	211	111	95.3

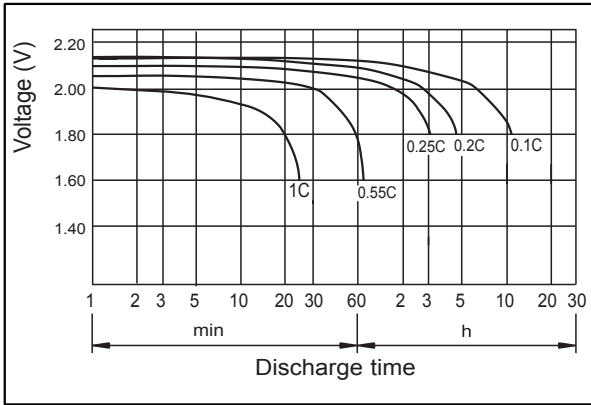
Constant Power Discharge Characteristics Unit:W(25°C,77°F)

F.V/Time	30min	60min	2h	3h	4h	5h	6h	8h	10h	20h	24h
1.60V	3574	2514	1493	1092	873	755	650	518	428	227	195
1.65V	3502	2438	1484	1085	868	751	646	515	427	226	195
1.70V	3395	2363	1471	1078	862	746	642	511	425	225	194
1.75V	3313	2287	1449	1070	856	741	637	508	423	224	193
1.80V	3191	2212	1412	1038	830	718	618	493	420	223	192

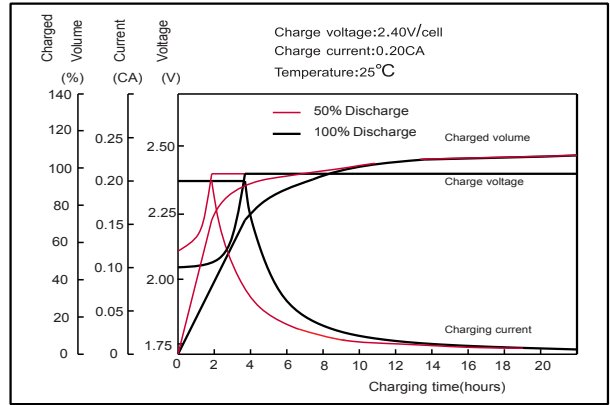
Note: The above characteristics data can be obtained within three charge or discharge cycles.

NPD2-2000Ah 2V2000Ah

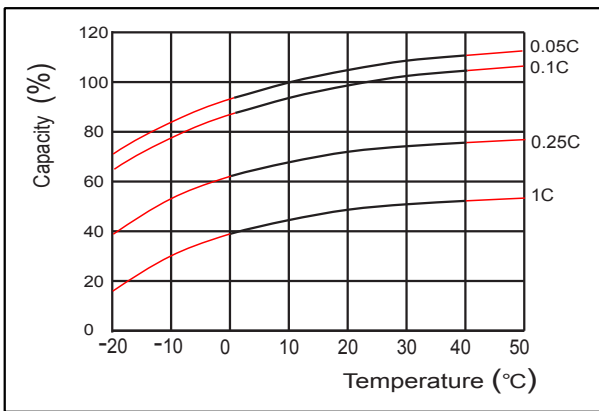
● **Discharge characteristics(25°C)**



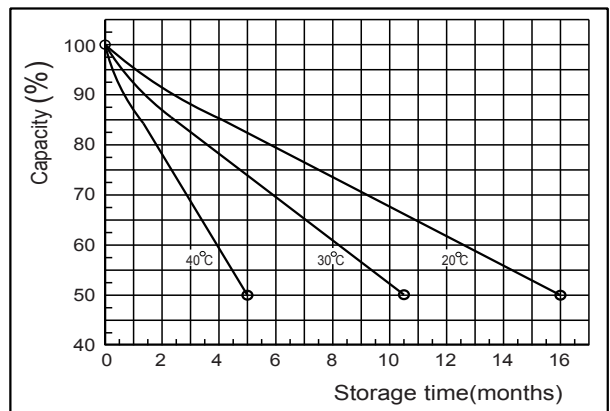
● **Charging characteristics**



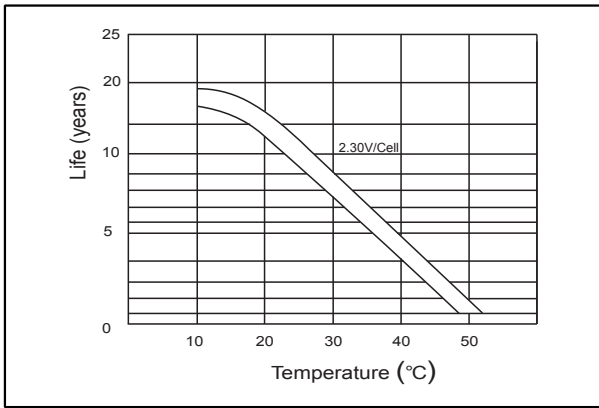
● **Effect of Temperature on Capacity**



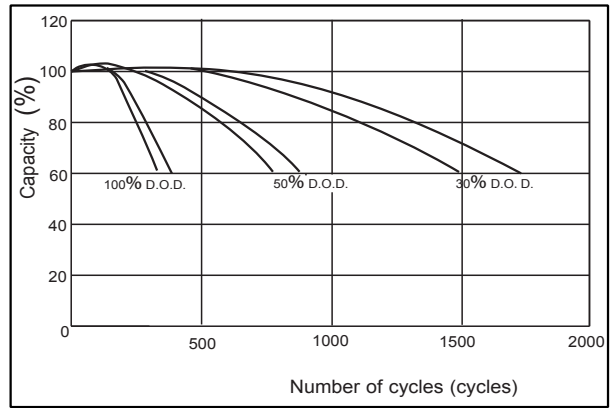
● **Self-discharge characteristics**



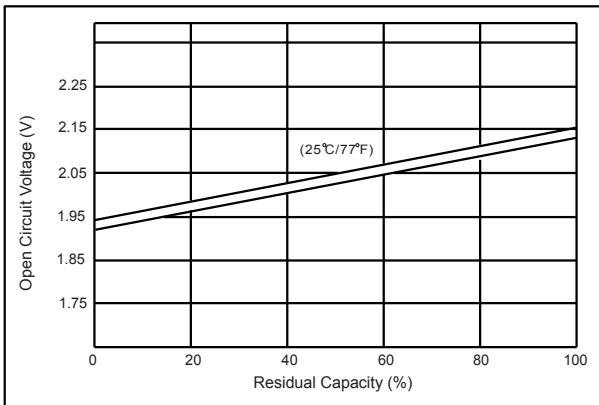
● **Temperature effects on float life**



● **Cycle service life in relation to depth of discharge**



● **The relationship for OCV and Capacity (25°C)**



● **The relationship for Charging voltage and Temperature**

