

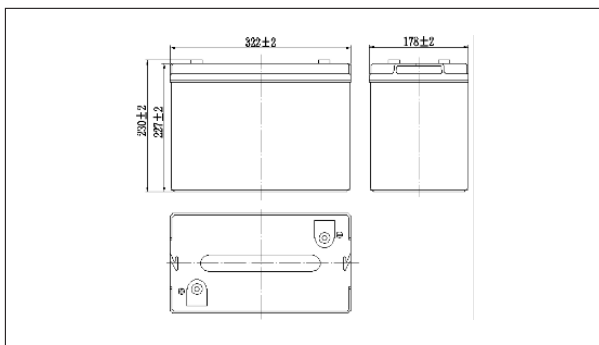
NP6-200Ah 6V200Ah

Specifications

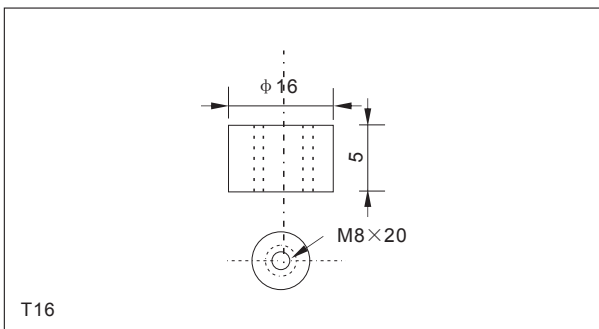
Nominal Voltage	6V	
Rated capacity (10 hour rate)	200Ah	
Dimensions	Length	322±2mm(12.05inch)
	Width	178±2mm(6.65inch)
	Height	227±2mm(8.94inch)
	Total Height	230±2mm(9.06inch)
Approx. Weight	29kg(63.9lbs)±3%	



Outer dimensions (mm)



Terminal Type (mm)



Characteristics

Capacity (25°C)	10HR(5.40V)	200Ah
	3HR(5.40V)	150Ah
	1HR(5.25V)	110Ah
Terminal type		T16
Internal resistance (Fully charged, 25°C)		Approx. 2mΩ
Capacity affected by temperature (10HR)	40°C	102%
	25°C	100%
	0°C	85%
	-15°C	65%
Self-discharge (25°C)	3 months	Remaining Capacity: 91%
	6 months	Remaining Capacity: 82%
	12 months	Remaining Capacity: 65%
Nominal operating temperature		25°C ± 3°C (77°F ± 5°F)
Operating temperature range	Discharge	-15°C ~ 50°C (5°F ~ 122°F)
	Charge	-10°C ~ 50°C (14°F ~ 122°F)
	Storage	-20°C ~ 50°C (-4°F ~ 122°F)
Float charging voltage (25°C)		6.75 to 6.90V Temperature compensation: -9mV/°C
Cyclic charging voltage (25°C)		7.25 to 7.50V Temperature compensation: -15mV/°C
Maximum charging current		60A
Maximum discharge current		1400A (5 sec.)
Designed floating life (20°C)		10 years

Construction

Component	Positive plate	Negative plate	Container	Cover	Separator	Electrolyte	Safety valve	Terminal
Raw material	Lead dioxide	Lead	ABS	ABS	AGM	Sulfuric acid	Rubber	Copper

Constant Current Discharge Characteristics Unit: A (25°C, 77°F)

F.V/Time	10min	15min	30min	60min	2h	3h	4h	5h	8h	10h	20h
4.80V	436	336	201	124	73.1	52.6	42.0	35.9	24.7	20.4	10.8
4.95V	423	328	197	122	72.6	52.3	41.8	35.7	24.5	20.3	10.8
5.10V	405	316	191	119	72.0	52.0	41.5	35.4	24.4	20.3	10.7
5.25V	388	305	186	115	70.9	51.6	41.2	35.2	24.2	20.1	10.7
5.40V	366	289	179	111	69.1	50.1	40.0	34.1	23.5	20.0	10.6

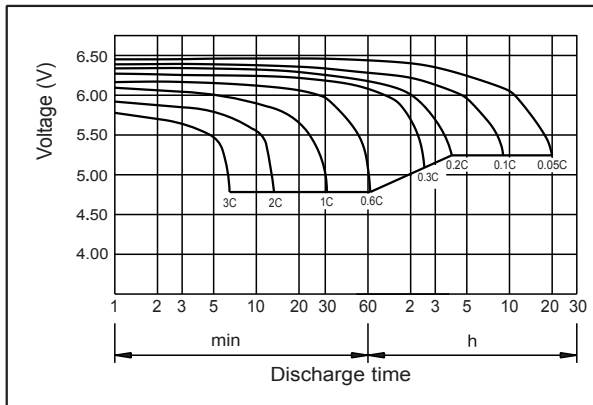
Constant Power Discharge Characteristics Unit: W (25°C, 77°F)

F.V/Time	10min	15min	30min	60min	2h	3h	4h	5h	8h	10h	20h
4.80V	2354	1845	1128	705	423	309	247	212	147	122	64.7
4.95V	2284	1800	1105	694	421	308	246	211	146	121	64.6
5.10V	2190	1734	1071	676	417	306	244	209	145	121	64.4
5.25V	2095	1675	1045	655	411	303	242	208	144	120	64.0
5.40V	1978	1586	1007	634	400	294	235	202	139	119	63.6

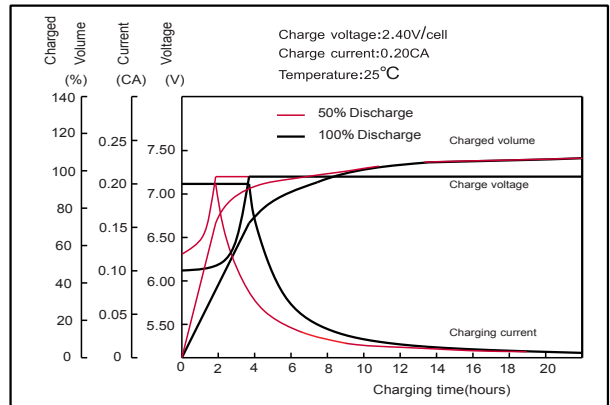
Note: The above characteristics data can be obtained within three charge or discharge cycles.

NP6-200Ah 6V200Ah

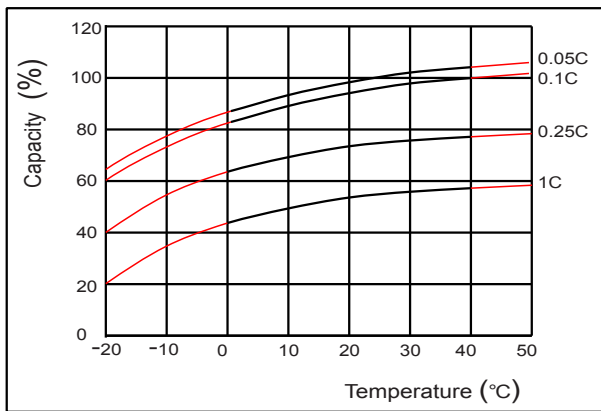
● **Discharge characteristics(25°C)**



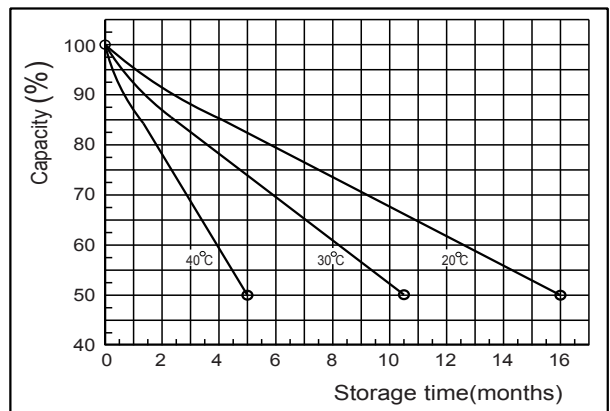
● **Charging characteristics(25°C)**



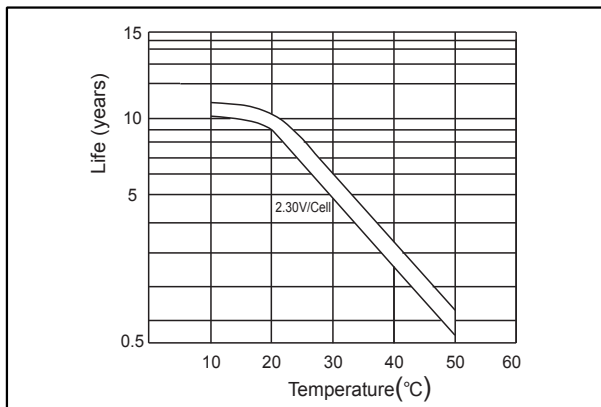
● **Effect of temperature on capacity**



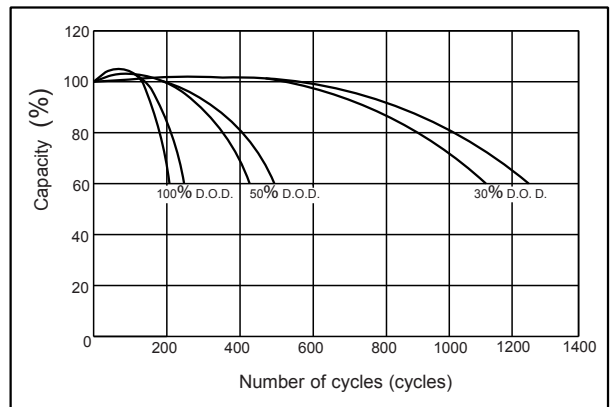
● **Self-discharge characteristics**



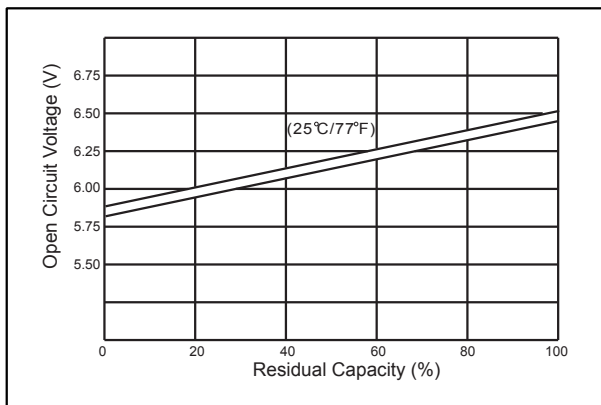
● **Floating life on temperature**



● **Cycle life on D.O.D (25°C)**



● **The relationship for OCV and Capacity (25°C)**



● **The relationship for Charging voltage and Temperature**

