

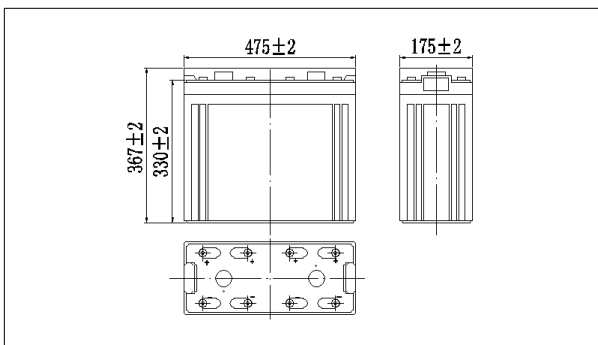
NP2-1000Ah 2V1000Ah



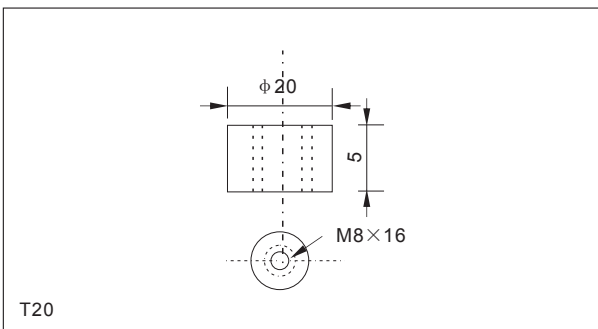
Specifications

Nominal Voltage	2V	
Rated capacity (10 hour rate)	1000Ah	
Dimensions	Length	475±2mm(18.70inch)
	Width	175±2mm(6.89inch)
	Height	330±2mm(12.99inch)
	Total Height	367±2mm(14.45inch)
Approx. Weight	60.5kg(133.4lbs)±3%	

Outer dimensions (mm)



Terminal Type (mm)



Characteristics

Capacity (25°C)	10HR(1.8V)	1000Ah
	3HR(1.80V)	750Ah
	1HR(1.75V)	550Ah
Terminal type		T20
Internal resistance (Fully charged, 25°C)		Approx.0.27m Ω
Capacity affected by temperature (10HR)	40°C	102%
	25°C	100%
	0°C	85%
	-15°C	65%
Self-discharge (25°C)	3 months	Remaining Capacity:91%
	6 months	Remaining Capacity:82%
	12 months	Remaining Capacity:65%
Nominal operating temperature		25°C ±3°C(77°F ±5°F)
Operating temperature range	Discharge	-15°C~50°C(5°F~122°F)
	Charge	-10°C~50°C(14°F~122°F)
	Storage	-20°C~50°C(-4°F~122°F)
Float charging voltage(25°C)		2.25 to 2.30V Temperature compensation: -3mV/°C
Cyclic charging voltage(25°C)		2.40 to 2.50V Temperature compensation: -5mV/°C
Maximum charging current		200A
Maximum discharge current		5500A(5 sec.)
Designed floating life(20°C)		15 years

Construction

Component	Positive plate	Negative plate	Container	Cover	Separator	Electrolyte	Safety valve	Terminal
Raw material	lead dioxide	Lead	ABS	ABS	AGM	Sulfuric acid	Rubber	Copper

Constant Current Discharge Characteristics Unit:A(25°C,77°F)

F.V/Time	15min	30min	60min	2h	3h	4h	5h	6h	8h	10h	20h
1.60V	1390	910	630	368	265	212	183	157	124	102	54.0
1.65V	1357	892	611	366	264	211	182	156	123	102	53.8
1.70V	1307	865	592	363	262	209	180	155	122	102	53.7
1.75V	1262	844	573	358	260	208	179	154	122	101	53.4
1.80V	1195	813	554	348	252	202	174	149	118	101	53.0

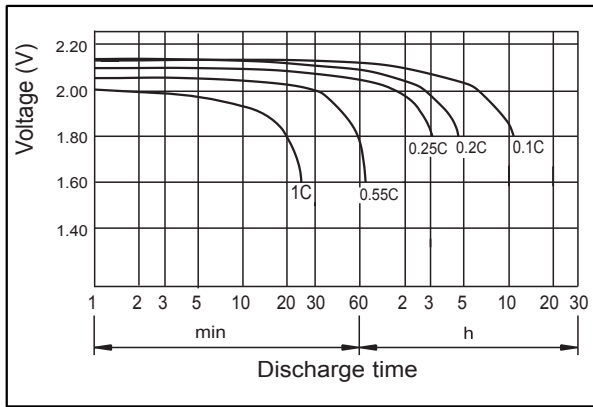
Constant Power Discharge Characteristics Unit:W(25°C,77°F)

F.V/Time	15min	30min	60min	2h	3h	4h	5h	6h	8h	10h	20h
1.60V	2544	1702	1197	711	520	416	360	309	247	204	108
1.65V	2483	1668	1161	707	517	413	358	308	245	203	108
1.70V	2391	1617	1125	701	513	411	355	306	243	203	107
1.75V	2310	1577	1089	690	510	408	353	303	242	201	107
1.80V	2188	1520	1053	673	494	395	342	294	235	200	106

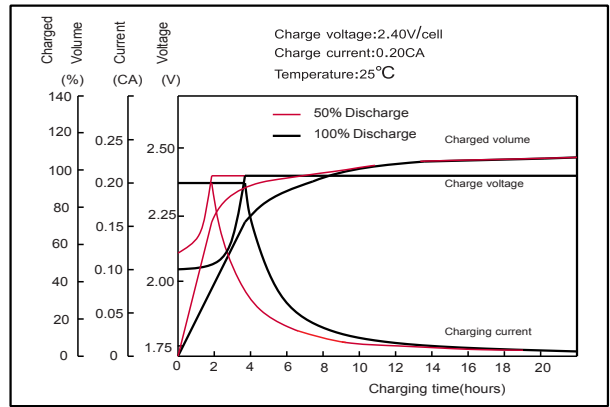
Note: The above characteristics data can be obtained within three charge or discharge cycles.

NP2-1000Ah 2V1000Ah

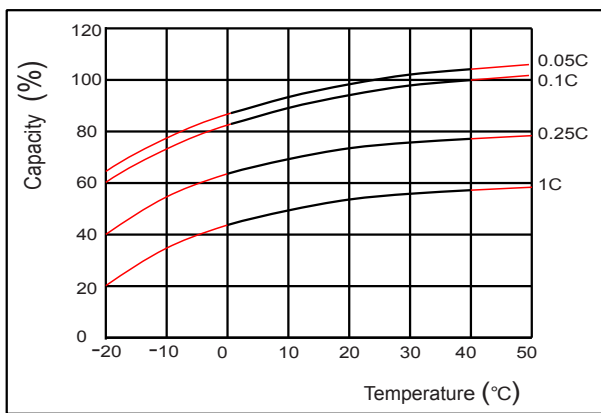
● **Discharge characteristics(25°C)**



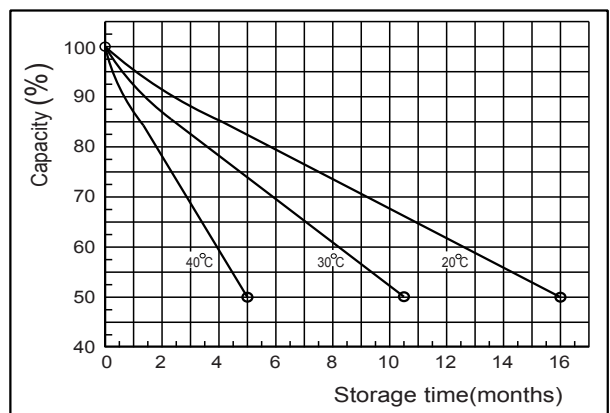
● **Charging characteristics**



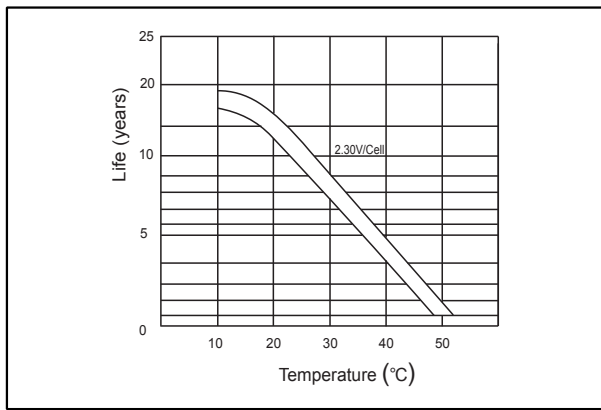
● **Effect of Temperature on Capacity**



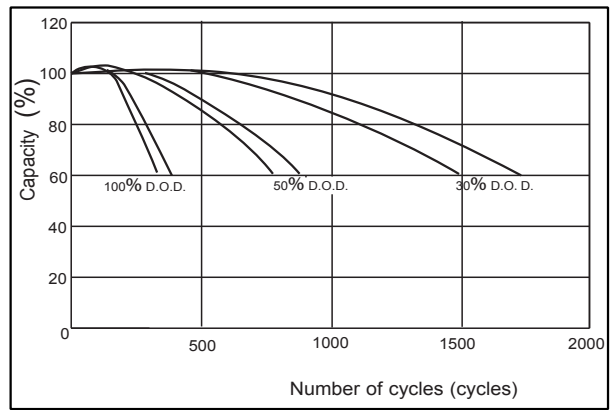
● **Self-discharge characteristics**



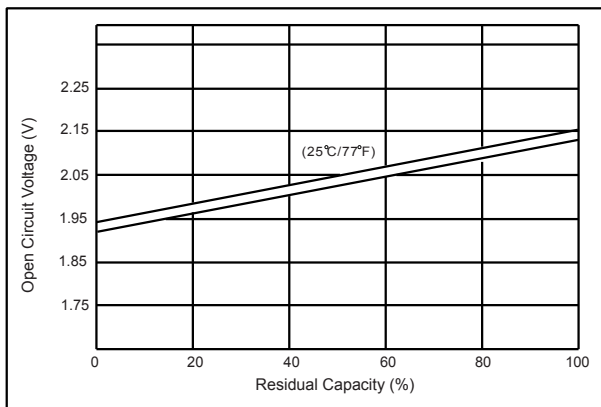
● **Temperature effects on float life**



● **Cycle service life in relation to depth of discharge**



● **The relationship for OCV and Capacity (25°C)**



● **The relationship for Charging voltage and Temperature**

